

## CM 90S4

**Gru idraulica a montaggio rapido**

*Hydraulic crane with quick assembling*

**Grue hydraulique à montage rapide**

*Hydraulischer Schnellmontagekran*

**Grúa hidráulica de montaje rápido**



EN 14439 C25

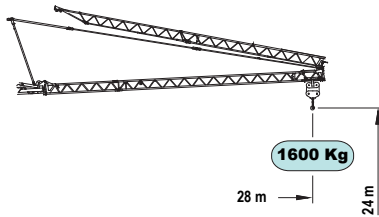
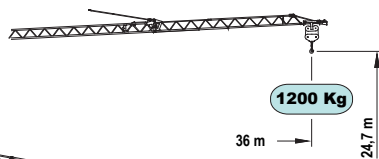
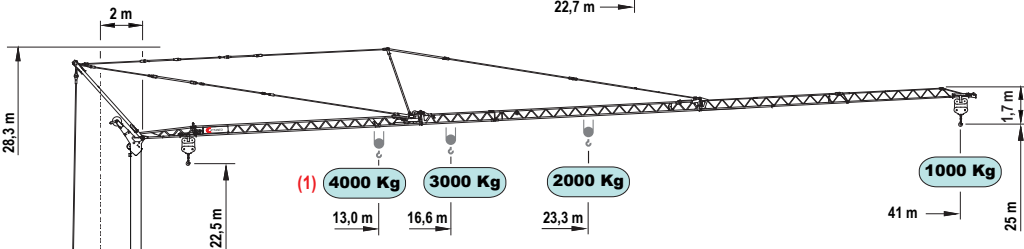
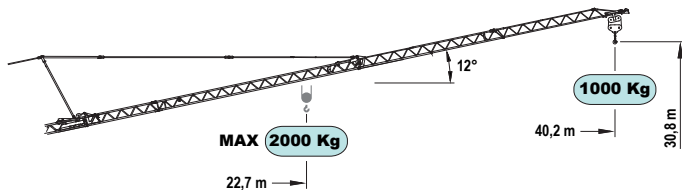
DIN 15018-H1/B3

PROGETTO e COSTRUZIONE / DESIGN and CONSTRUCTION:  
LUIGI CATTANEO S.p.A

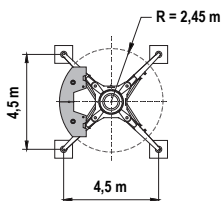
# CM 90S4



Nessun componente elettrico sul braccio e sulle parti alte della gru  
No electrical component on the jib and the top of the crane



Max. kg 3000 - 4000



Curve di carico

Load diagrams

Courbes de charge

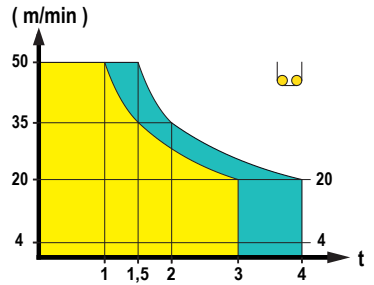
Lastkurven

Curvas de cargas

kg	4000	3000	2500	2000	1900	1800	1700	1600	1500	1400	1300	1200	1100	1000
m	13.0	16.6	19.3	23.3	24.2	25.3	26.5	27.9	29.4	31.1	33.1	35.5	37.8	41.0
m	13.1	16.9	19.6	23.6	24.6	25.8	27.0	28.4	30.0	31.7	33.7	36.0		
m	13.0	16.6	19.4	23.3	24.3	25.4	26.6	28.0	28.8	30.5	32.4	34.6	37.0	40.2
m				22.7	23.7	24.8	26.0	27.4	28.8	30.5	32.4	34.6	37.0	40.2

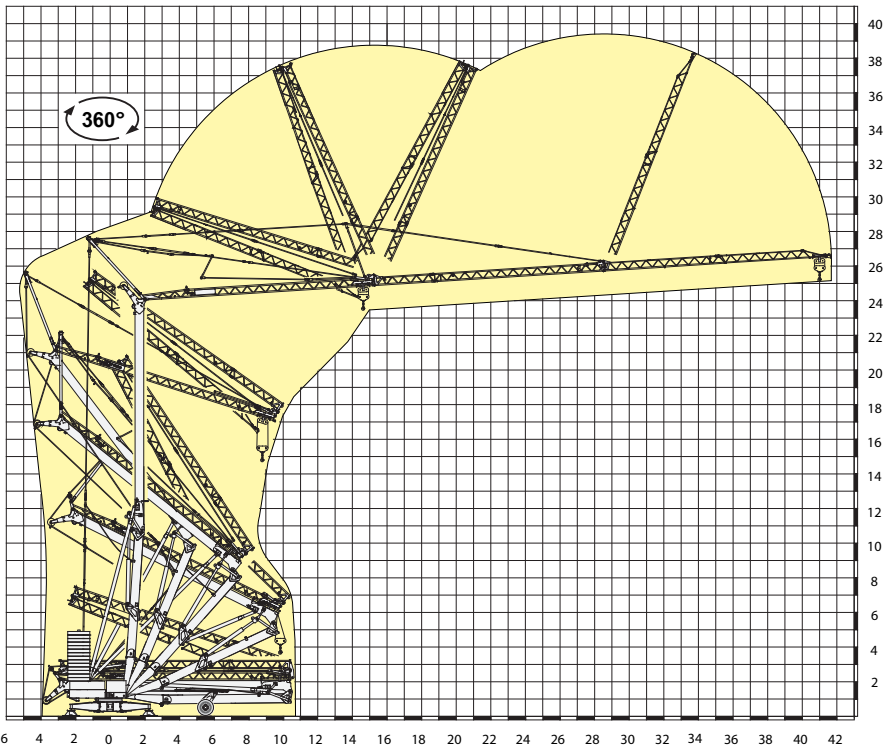
## Prestazioni - Performances - Prestations - Leistungen - Prestaciones

	 kW	 400V - 50Hz				16 kW	(1) 21 kW	
	inverter	kW/g/min		1°	2°	3°	4°	
			m/min	4	20	35	50	
	inverter	(1) 18,5/1400	 kg	3000	3000	1500	1000	
			 kg	4000	4000	2000	1500	
	inverter	3/1400	m/min				10 - 25 - 50	
	inverter	3,7/900	g/min				0,2 - 0,5 - 0,9	



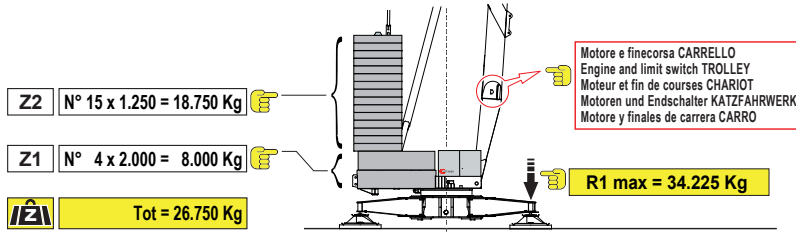
(1) Optional

## Montaggio - Erection - Montage - Montage - Montage



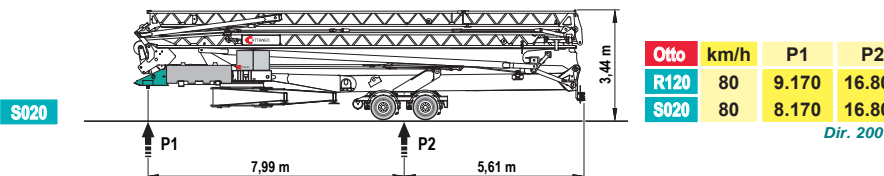
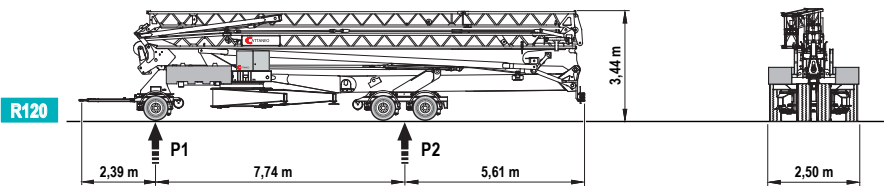
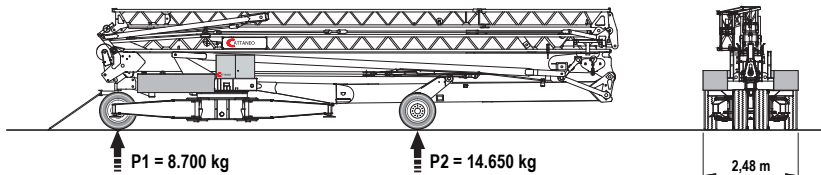
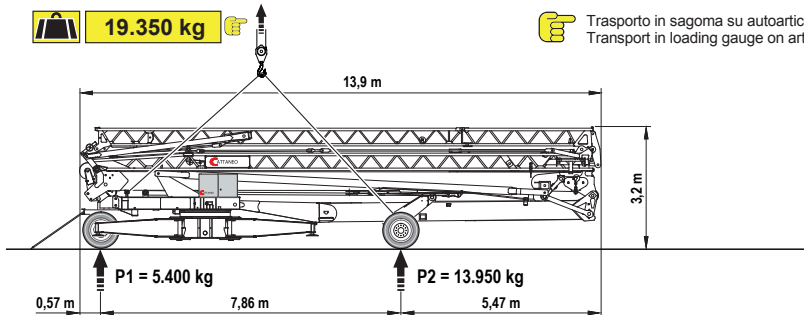
# CM 90S4

Contrappeso in lastre di cemento armato - Ferro-concrete ballast slabs  
 Contrepoids en plaques de béton armé - Gegengewicht aus Betonplatten - Lastre en hormigón armado



## Trasporto - Transport - Transport - Transport - Transporte

**19.350 kg**  
 Trasporto in sagoma su autoarticolato  
 Transport in loading gauge on articulated lorry



Otto	km/h	P1	P2	
R120	80	9.170	16.800	kg
S020	80	8.170	16.800	kg

Dir. 2007/46/CE